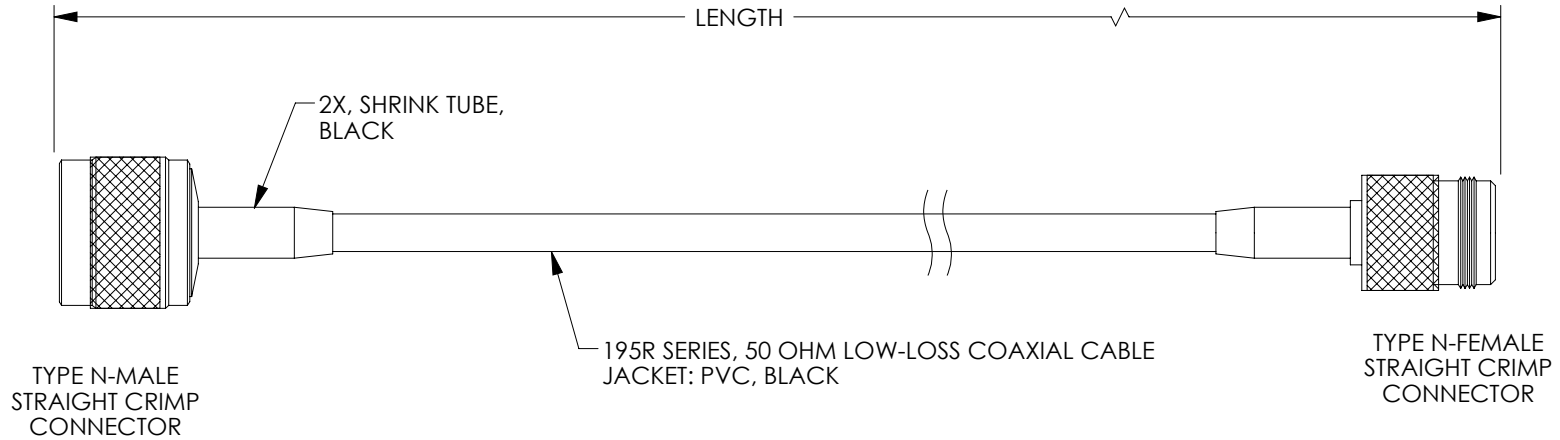


THE INFORMATION CONTAINED IN THIS DRAWING IS THE SOLE PROPERTY OF L-COM, INC. ANY REPRODUCTION IN PART OR WHOLE WITHOUT THE WRITTEN PERMISSION OF L-COM, INC. IS PROHIBITED.

RoHS Compliant ✓

REVISIONS			
REV	DESCRIPTION	DATE	APPROVED
A	INITIAL RELEASE	8/16/12	D.GRIFFIN



LENGTH CODE CHART		
CABLE# & LENGTH	LENGTH SYMBOL	EXAMPLES OF PART# USED
CA-NMNFAXXX	WHERE XXX = LENGTH IN FEET	CA-NMNFA010 (10 FEET)
CA-NMNFANXX	WHERE NXX = LENGTH IN INCHES	CA-NMNFAN16 (16 INCHES)
CA-NMNFAMXX	WHERE MXX = LENGTH IN METERS	CA-NMNFAM07 (7 METERS)
CA-NMNFAXMX	WHERE XMX = LENGTH IN DECIMAL METERS	CA-NMNFA3M5 (3.5 METERS)

NOTES:

1. CABLE ASSEMBLY SHALL BE TESTED FOR CONTINUITY.
2. CABLE ASSEMBLY SHALL RECEIVE INSERTION LOSS TEST PER L-COM SPECIFICATIONS.
3. CABLE ASSEMBLY SHALL BE INDIVIDUALLY PACKAGED IN ACCORDANCE WITH L-COM SPECIFICATION PS-0031.

UNLESS OTHERWISE SPECIFIED, DIMENSIONS ARE IN INCHES [mm] OVERALL CABLE LENGTH TOLERANCE: ≤ 12 [305] = +1 [25] / -0 > 12 [305] ≤ 60 [1524] = +2 [51] / -0 > 60 [1524] ≤ 120 [3048] = +4 [102] / -0 > 120 [3048] ≤ 300 [7620] = +6 [152] / -0 > 300 [7620] = +3% / -0% ALL OTHER DIMENSIONAL TOLERANCES: .X = $\pm .2$.XX = $\pm .02$.XXX = $\pm .005$	APPROVALS DRAWN BY D.FRISIELLO CHECKED BY T.VADEN APPROVED BY P.PESA	DATE 8/15/12 8/15/12 8/15/12	45 BEECHWOOD DRIVE NORTH ANDOVER, MA 01845	
	CONFIGURATION DETAILS OF UNDIMENSIONED FEATURES MAY VARY COLOR VARIATIONS MAY OCCUR	CATEGORY COAXIAL PRODUCT DESCRIPTION CA,195 NM/NF		
PROJECTION 	SIZE A	FSCM NO. 43321	DWG. NO. CA-NMNFA	REV. A
SCALE: NONE		CAD FILE: CA-NMNFA.SLDDRW		SHEET 1 OF 1